

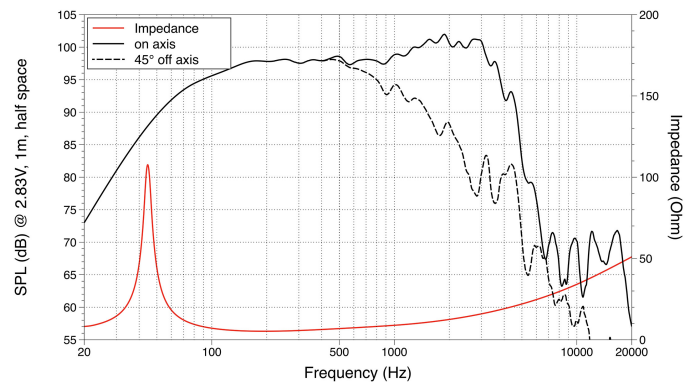
# WAN153.00

Lavoce

## 15" WOOFER

NEODYMIUM MAGNET  
ALUMINIUM BASKET DRIVER

- 3 INCH CCAW VOICE COIL
- 98,5 dB/SPL SENSITIVITY
- 1000 WATT PROGRAM POWER HANDLING
- FEM OPTIMIZED MOTOR AND SUSPENSIONS
- OPTIMIZED COOLING SYSTEM
- ALTERNATIVE IMPEDANCE: 4 OHM



### GENERAL SPECIFICATIONS

Nominal Diameter	<b>380 mm (15 in)</b>
Nominal Impedance	<b>8 ohm</b>
Minimum Impedance	<b>5.3 ohm</b>
Program Power	<b>1000 W</b> Program power is defined as 3 dB greater than AES Power.
AES Power Rating	<b>500 W</b> Tested for two hours using a continuous, band-limited pink noise signal as per AES 2-1984 Rev. 2003. Loudspeaker tested in free air.
Sensitivity	<b>98.5 dB</b> From T/S parameters, measured with Klippel DA LPM module.
Frequency Range	<b>45 ÷ 3000 Hz</b>
Voice Coil Diameter	<b>75 mm (3 in)</b>
Chassis Material	<b>ALUMINIUM</b>
Magnet Material	<b>NEODYMIUM</b>
Magnet Dimensions OD x ID x h	<b>75,4 x 10 mm (2.97 x 0.39 in)</b>
Coil Material	<b>CCA W</b>
Former Material	<b>GLASS FIBER</b>
Cone Material	<b>WATER RESISTANT TREATED PAPER + WATER PROOF FRONT SIDES TREATMENT</b>
Surround Material	<b>POLYCOTTON</b>
Xmax	<b>7 mm (0.28 in)</b> The Xmax is calculated as: $(Hvc - Hg)/2 + Hg/4$ . Hvc is the voice coil height and Hg the gap height.
Xmech	<b>12.7 mm (0.5 in)</b> The Xmech is calculated as: $(Hvc - Hg)/2 + (Hg-2)$ . Hvc is the voice coil height and Hg the gap height.
Gap Height	<b>10.5 mm (0.41 in)</b>
Voice Coil Winding Height	<b>19 mm (0.75 in)</b>
Driver Displacement Volume	<b>4.9 l (0.173 ft³)</b>
Recommended Enclosure	<b>93 l (3.284 ft³)</b>
Recommended Tuning	<b>50 Hz</b>

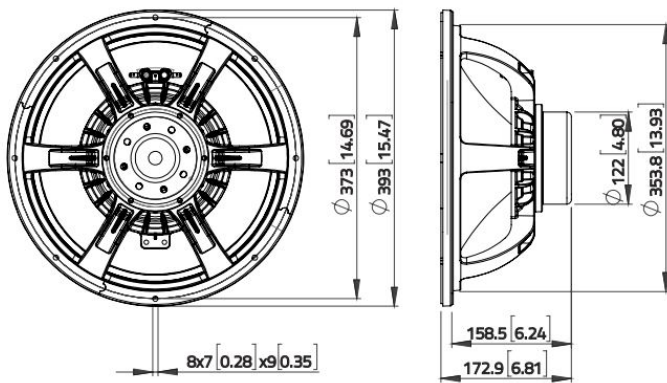
### SMALL SIGNAL PARAMETERS

Thiele-Small parameters are measured after preconditioning: a) at 20°C- 22°C, 50% humidity for 2 hours; b) by Klippel LSI measurement.

DC Resistance (Re)	<b>4.7 ohm</b>
--------------------	----------------

Diaphragm Area (Sd)	855 cm <sup>2</sup> (132.525 in <sup>2</sup> )
Resonance Frequency (Fs)	43 Hz
Moving Mass (Mms)	101.4 g (3.577 oz)
Compliance (Cms)	0.135 mm/N
Force Factor (BxL)	17.33 N/A
Mechanical Q-Factor (Qms)	9.49
Electrical Q-Factor (Qes)	0.43
Total Q-Factor (Qts)	0.41
Equivalent Air Volume (Vas)	139.2 l (4.916 ft <sup>3</sup> )
Voice Coil Inductance (Le)	0.76 mH
Reference Efficiency (Eta 0)	2.49 %
Efficiency Bandwidth Product (EBP)	100 Hz

## DIMENSIONS



## SHIPPING INFORMATION

Net Weight	5.8 kg (12.787 lb)
Multipack Quantity	1
Multipack size W x D x H	425 mm x 425 mm x 220 mm (16.7 in x 16.7 in x 8.7 in)
Multipack Weight	7.3 kg (16.09 lb)

## REPAIR KITS

LF Repair Kit	VRK10151
---------------	----------

