

WAN102.50

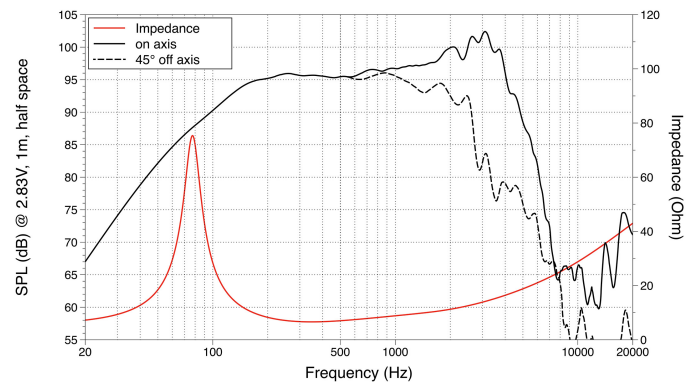
Lavoce

10" WOOFER

NEODYMIUM MAGNET
ALUMINIUM BASKET DRIVER



- 2.5 INCH CCAW VOICE COIL
- 97 dB/SPL SENSITIVITY
- 600 WATT PROGRAM POWER HANDLING
- FEM OPTIMIZED MOTOR AND SUSPENSIONS
- OPTIMIZED COOLING SYSTEM



GENERAL SPECIFICATIONS

Nominal Diameter	250 mm (10 in)
Nominal Impedance	8 ohm
Minimum Impedance	6.7 ohm
Program Power	600 W Program power is defined as 3 dB greater than AES Power.
AES Power Rating	300 W Tested for two hours using a continuous, band-limited pink noise signal as per AES 2-1984 Rev. 2003. Loudspeaker tested in free air.
Sensitivity	97 dB From T/S parameters, measured with Klippel DA LPM module.
Frequency Range	80 ÷ 4000 Hz
Voice Coil Diameter	65 mm (2.5 in)
Chassis Material	ALUMINIUM
Magnet Material	NEODYMIUM
Magnet Dimensions OD x ID x h	64 x 8 mm (2.52 x 0.31 in)
Coil Material	CCA W
Former Material	GLASS FIBER
Cone Material	WATER RESISTANT TREATED PAPER
Surround Material	POLYCOTTON
Xmax	5.1 mm (0.2 in) The Xmax is calculated as: $(Hvc - Hg)/2 + Hg/4$. Hvc is the voice coil height and Hg the gap height.
Xmech	9.1 mm (0.36 in) The Xmech is calculated as: $(Hvc - Hg)/2 + (Hg-2)$. Hvc is the voice coil height and Hg the gap height.
Gap Height	8 mm (0.31 in)
Voice Coil Winding Height	14.2 mm (0.56 in)
Driver Displacement Volume	1.2 l (0.042 ft³)
Recommended Enclosure	23 l (0.812 ft³)
Recommended Tuning	80 Hz

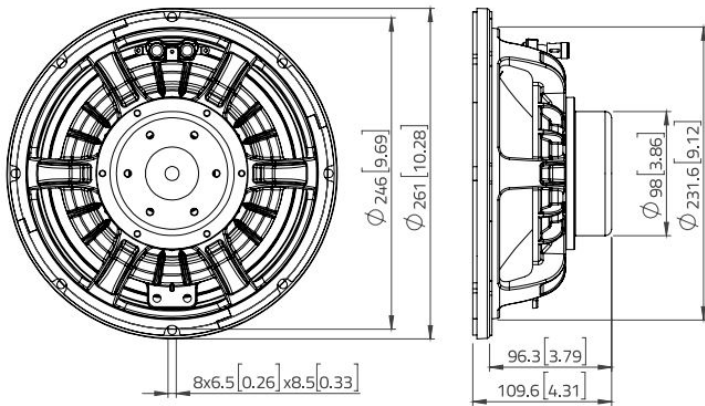
SMALL SIGNAL PARAMETERS

Thiele-Small parameters are measured after preconditioning: a) at 20°C- 22°C, 50% humidity for 2 hours; b) by Klippel LSI measurement.

DC Resistance (Re)	5.6 ohm
--------------------	----------------

Diaphragm Area (Sd)	350 cm² (54.25 in²)
Resonance Frequency (Fs)	78 Hz
Moving Mass (Mms)	32.6 g (1.15 oz)
Compliance (Cms)	0.129 mm/N
Force Factor (BxL)	15.3 N/A
Mechanical Q-Factor (Qms)	4.73
Electrical Q-Factor (Qes)	0.38
Total Q-Factor (Qts)	0.35
Equivalent Air Volume (Vas)	22.4 l (0.791 ft³)
Voice Coil Inductance (Le)	0.52 mH
Reference Efficiency (Eta 0)	2.62 %
Efficiency Bandwidth Product (EBP)	205 Hz

DIMENSIONS



SHIPPING INFORMATION

Net Weight	2.8 kg (6.173 lb)
Multipack Quantity	1
Multipack size W x D x H	310 mm x 306 mm x 152 mm (12.2 in x 12 in x 6 in)
Multipack Weight	3.695 kg (8.15 lb)

REPAIR KITS

LF Repair Kit	VRK10101
---------------	-----------------

