

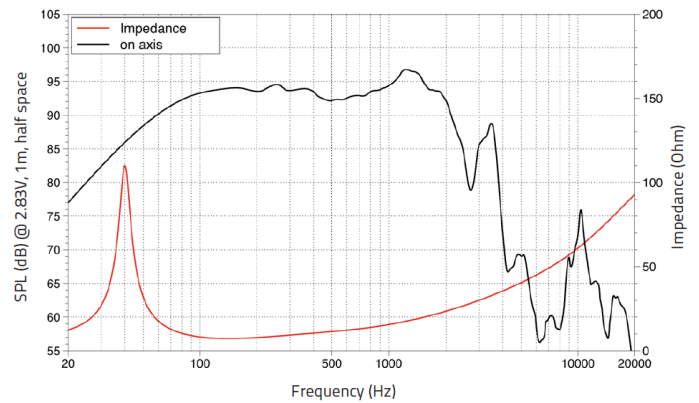
WAF154.02

Lavoce

15" SUBWOOFER

FERRITE MAGNET
ALUMINIUM BASKET DRIVER

- 4 INCH COPPER VOICE COIL
- 96 dB/SPL SENSITIVITY
- 1600 WATT PROGRAM POWER HANDLING
- FEM OPTIMIZED MOTOR AND SUSPENSIONS
- DOUBLE SILICON SPIDER
- TRIPLE ROLL SURROUND



GENERAL SPECIFICATIONS

| | |
|-------------------------------|---|
| Nominal Diameter | 380 mm (15 in) |
| Nominal Impedance | 8 ohm |
| Minimum Impedance | 7.3 ohm |
| Program Power | 1600 W Program power is defined as 3 dB greater than AES Power. |
| AES Power Rating | 800 W Tested for two hours using a continuous, band-limited pink noise signal as per AES 2-1984 Rev. 2003. Loudspeaker tested in free air. |
| Sensitivity | 96 dB From T/S parameters, measured with Klippel DA LPM module. |
| Frequency Range | 40 ÷ 1000 Hz |
| Voice Coil Diameter | 100 mm (4 in) |
| Chassis Material | ALUMINIUM |
| Magnet Material | FERRITE |
| Magnet Dimensions OD x ID x h | 200 x 110 x 22 mm (7.87 x 4.33 x 0.87 in) |
| Coil Material | COPPER |
| Former Material | GLASS FIBER |
| Cone Material | WATER RESISTANT TREATED PAPER + WATER PROOF FRONT SIDES TREATMENT |
| Surround Material | POLYCOTTON |
| Xmax | 7.6 mm (0.3 in) The Xmax is calculated as: $(H_{vc} - H_g)/2 + H_g/4$. Hvc is the voice coil height and Hg the gap height. |
| Xmech | 13.5 mm (0.53 in) The Xmech is calculated as: $(H_{vc} - H_g)/2 + (H_g - 2)$. Hvc is the voice coil height and Hg the gap height. |
| Gap Height | 10.5 mm (0.41 in) |
| Voice Coil Winding Height | 20.5 mm (0.81 in) |
| Driver Displacement Volume | 4.6 l (0.162 ft³) |
| Recommended Enclosure | 93.8 l (3.313 ft³) |
| Recommended Tuning | 45 Hz |

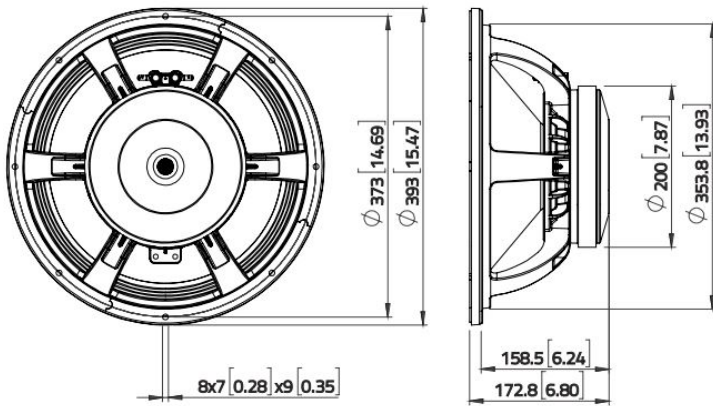
SMALL SIGNAL PARAMETERS

Thiele-Small parameters are measured after preconditioning: a) at 20°C- 22°C, 50% humidity for 2 hours; b) by Klippel LSI measurement.

| | |
|--------------------|----------------|
| DC Resistance (Re) | 5.8 ohm |
|--------------------|----------------|

| | |
|------------------------------------|--|
| Diaphragm Area (Sd) | 855 cm ² (132.525 in ²) |
| Resonance Frequency (Fs) | 41 Hz |
| Moving Mass (Mms) | 148.6 g (5.242 oz) |
| Compliance (Cms) | 0.101 mm/N |
| Force Factor (BxL) | 22.95 N/A |
| Mechanical Q-Factor (Qms) | 9.51 |
| Electrical Q-Factor (Qes) | 0.42 |
| Total Q-Factor (Qts) | 0.4 |
| Equivalent Air Volume (Vas) | 104.65 l (3.696 ft ³) |
| Voice Coil Inductance (Le) | 1.75 mH |
| Reference Efficiency (Eta 0) | 1.66 % |
| Efficiency Bandwidth Product (EBP) | 98 Hz |

DIMENSIONS



SHIPPING INFORMATION

| | |
|--------------------------|--|
| Net Weight | 10.2 kg (22.487 lb) |
| Multipack Quantity | 1 |
| Multipack size W x D x H | 410 mm x 410 mm x 260 mm (16.1 in x 16.1 in x 10.2 in) |
| Multipack Weight | 11.7 kg (25.79 lb) |

REPAIR KITS

| | |
|---------------|----------|
| LF Repair Kit | VRK10155 |
|---------------|----------|

