

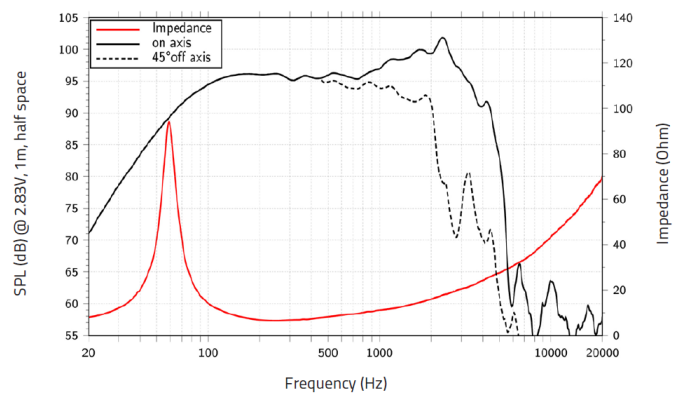
# WAF122.50

Lavoce

## 12" WOOFER

FERRITE MAGNET  
ALUMINIUM BASKET DRIVER

- 2.5 INCH CCAW VOICE COIL
- 97,5 dB/SPL SENSITIVITY
- 700 WATT PROGRAM POWER HANDLING
- FEM OPTIMIZED MOTOR AND SUSPENSIONS
- OPTIMIZED COOLING SYSTEM
- TRIPLE ROLL SURROUND



### GENERAL SPECIFICATIONS

Nominal Diameter	<b>300 mm (12 in)</b>
Nominal Impedance	<b>8 ohm</b>
Minimum Impedance	<b>6.8 ohm</b>
Program Power	<b>700 W</b> Program power is defined as 3 dB greater than AES Power.
AES Power Rating	<b>350 W</b> Tested for two hours using a continuous, band-limited pink noise signal as per AES 2-1984 Rev. 2003. Loudspeaker tested in free air.
Sensitivity	<b>97.5 dB</b> From T/S parameters, measured with Klippel DA LPM module.
Frequency Range	<b>60 ÷ 3000 Hz</b>
Voice Coil Diameter	<b>65 mm (2.5 in)</b>
Chassis Material	<b>ALUMINIUM</b>
Magnet Material	<b>FERRITE</b>
Magnet Dimensions OD x ID x h	<b>170 x 75 x 20 mm (6.69 x 2.95 x 0.79 in)</b>
Coil Material	<b>CCA W</b>
Former Material	<b>GLASS FIBER</b>
Cone Material	<b>WATER RESISTANT TREATED PAPER + WATER PROOF FRONT SIDES TREATMENT</b>
Surround Material	<b>POLYCOTTON</b>
Xmax	<b>6.1 mm (0.24 in)</b> The Xmax is calculated as: $(H_{vc} - H_g)/2 + H_g/4$ . Hvc is the voice coil height and Hg the gap height.
Xmech	<b>11.6 mm (0.46 in)</b> The Xmech is calculated as: $(H_{vc} - H_g)/2 + (H_g - 2)$ . Hvc is the voice coil height and Hg the gap height.
Gap Height	<b>10 mm (0.39 in)</b>
Voice Coil Winding Height	<b>17.2 mm (0.68 in)</b>
Driver Displacement Volume	<b>2.6 l (0.092 ft³)</b>
Recommended Enclosure	<b>50 l (1.766 ft³)</b>
Recommended Tuning	<b>65 Hz</b>

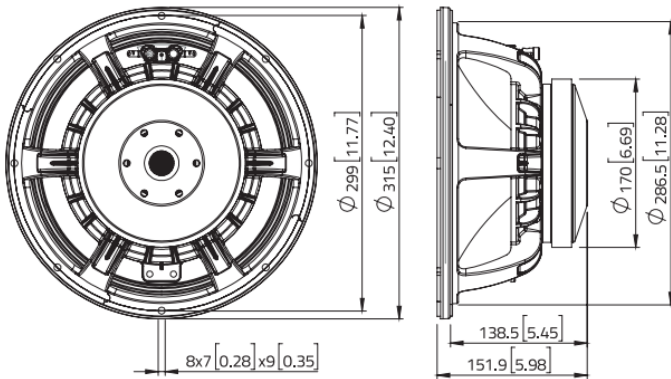
### SMALL SIGNAL PARAMETERS

Thiele-Small parameters are measured after preconditioning: a) at 20°C- 22°C, 50% humidity for 2 hours; b) by Klippel LSI measurement.

DC Resistance (Re)	<b>5.6 ohm</b>
Diaphragm Area (Sd)	<b>531 cm² (82.305 in²)</b>

Resonance Frequency (Fs)	<b>56 Hz</b>
Moving Mass (Mms)	<b>62.1 g (2.191 oz)</b>
Compliance (Cms)	<b>0.128 mm/N</b>
Force Factor (BxL)	<b>17.9 N/A</b>
Mechanical Q-Factor (Qms)	<b>6.41</b>
Electrical Q-Factor (Qes)	<b>0.39</b>
Total Q-Factor (Qts)	<b>0.36</b>
Equivalent Air Volume (Vas)	<b>50.95 l (1.799 ft³)</b>
Voice Coil Inductance (Le)	<b>0.94 mH</b>
Reference Efficiency (Eta 0)	<b>2.29 %</b>
Efficiency Bandwidth Product (EBP)	<b>144 Hz</b>

## DIMENSIONS



## SHIPPING INFORMATION

Net Weight	<b>6.3 kg (13.889 lb)</b>
Multipack Quantity	<b>1</b>
Multipack size W x D x H	<b>362 mm x 362 mm x 195 mm (14.3 in x 14.3 in x 7.7 in)</b>
Multipack Weight	<b>7.7 kg (16.98 lb)</b>

