

SAF184.05

Lavoce

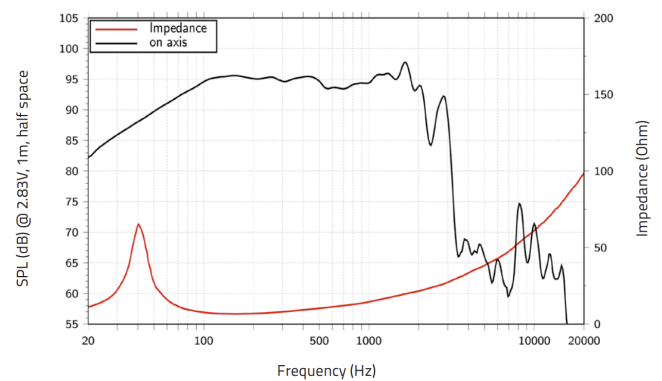
18" SUBWOOFER

FERRITE MAGNET
ALUMINIUM BASKET DRIVER



- 4 INCH COPPER VOICE COIL
- 96 dB/SPL SENSITIVITY
- 2000 WATT PROGRAM POWER HANDLING
- FEM OPTIMIZED MOTOR AND SUSPENSIONS
- OPTIMIZED COOLING SYSTEM
- DOUBLE SILICON SPIDER

FREQUENCY RESPONSE AND IMPEDANCE



GENERAL SPECIFICATIONS

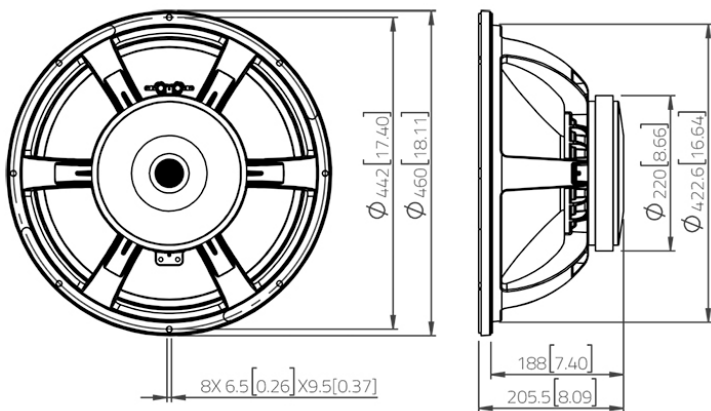
Nominal Diameter	460 mm (18 in)
Nominal Impedance	8 ohm
Minimum Impedance	6.4 ohm
Program Power	2000 W Program power is defined as 3 dB greater than AES Power.
AES Power Rating	1000 W Tested for two hours using a continuous, band-limited pink noise signal as per AES 2-1984 Rev. 2003. Loudspeaker tested in free air.
Sensitivity	96 dB From T/S parameters, measured with Klippel DA LPM module.
Frequency Range	40 ÷ 2000 Hz
Voice Coil Diameter	100 mm (4 in)
Chassis Material	ALUMINIUM
Magnet Material	FERRITE
Magnet Dimensions OD x ID x h	220 x 110 x 25 mm (8.66 x 4.33 x 0.98 in)
Coil Material	COPPER
Former Material	GLASS FIBER
Cone Material	WATER RESISTANT TREATED PAPER + WATER PROOF BOTH SIDES TREATMENT
Surround Material	POLYCOTTON
Xmax	7.7 mm (0.3 in) The Xmax is calculated as: $(Hvc - Hg)/2 + Hg/4$. Hvc is the voice coil height and Hg the gap height.
Xmech	13.2 mm (0.52 in) The Xmech is calculated as: $(Hvc - Hg)/2 + (Hg-2)$. Hvc is the voice coil height and Hg the gap height.
Gap Height	10 mm (0.39 in)
Voice Coil Winding Height	20.3 mm (0.8 in)
Driver Displacement Volume	7.42 l (0.262 ft³)
Recommended Enclosure	178.2 l (6.293 ft³)
Recommended Tuning	45 Hz

SMALL SIGNAL PARAMETERS

Thiele-Small parameters are measured after preconditioning: a) at 20°C- 22°C, 50% humidity for 2 hours; b) by Klippel LSI measurement.

DC Resistance (Re)	5.7 ohm
Diaphragm Area (Sd)	1150 cm ² (178.25 in ²)
Resonance Frequency (Fs)	40 Hz
Moving Mass (Mms)	220.7 g (7.785 oz)
Compliance (Cms)	0.072 mm/N
Force Factor (BxL)	25.59 N/A
Mechanical Q-Factor (Qms)	5.42
Electrical Q-Factor (Qes)	0.48
Total Q-Factor (Qts)	0.44
Equivalent Air Volume (Vas)	134.76 l (4.759 ft ³)
Voice Coil Inductance (Le)	1.51 mH
Reference Efficiency (Eta 0)	1.71 %
Efficiency Bandwidth Product (EBP)	83 Hz

DIMENSIONS



SHIPPING INFORMATION

Net Weight	12.3 kg (27.117 lb)
Multipack Quantity	1
Multipack size W x D x H	490 mm x 490 mm x 250 mm (19.3 in x 19.3 in x 9.8 in)
Multipack Weight	14.9 kg (32.85 lb)

REPAIR KITS

LF Repair Kit	VRK10188
---------------	----------

