

# SAF184.01

Lavoce

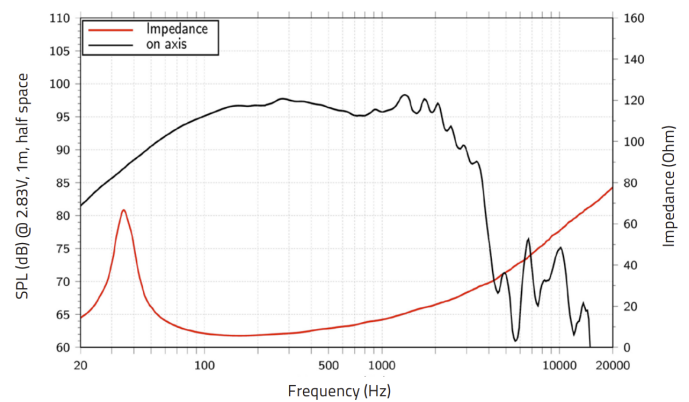
## 18" SUBWOOFER

FERRITE MAGNET  
ALUMINIUM BASKET DRIVER

- 4 INCH COPPER VOICE COIL
- 98 dB/SPL SENSITIVITY
- 1400 WATT PROGRAM POWER HANDLING
- FEM OPTIMIZED MOTOR AND SUSPENSIONS
- OPTIMIZED COOLING SYSTEM
- DOUBLE SILICON SPIDER



### FREQUENCY RESPONSE AND IMPEDANCE



### GENERAL SPECIFICATIONS

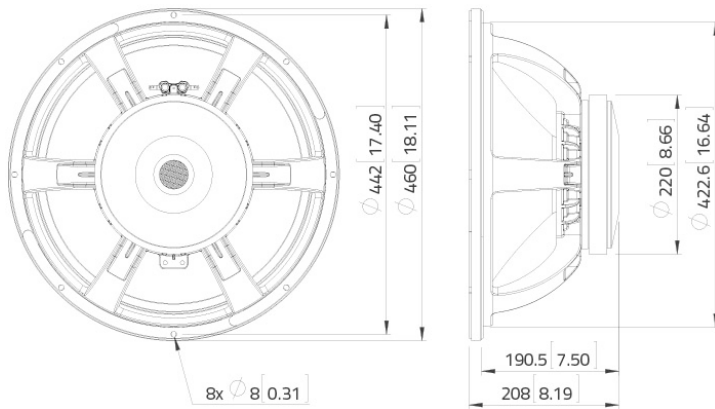
Nominal Diameter	<b>460 mm (18 in)</b>
Nominal Impedance	<b>8 ohm</b>
Minimum Impedance	<b>5.8 ohm</b>
Program Power	<b>1400 W</b> Program power is defined as 3 dB greater than AES Power.
AES Power Rating	<b>700 W</b> Tested for two hours using a continuous, band-limited pink noise signal as per AES 2-1984 Rev. 2003. Loudspeaker tested in free air.
Sensitivity	<b>98 dB</b> From T/S parameters, measured with Klippel DA LPM module.
Frequency Range	<b>30 ÷ 1400 Hz</b>
Voice Coil Diameter	<b>100 mm (4 in)</b>
Chassis Material	<b>ALUMINIUM</b>
Magnet Material	<b>FERRITE</b>
Magnet Dimensions OD x ID x h	<b>220 x 110 x 25 mm (8.66 x 4.33x 0.98 in)</b>
Coil Material	<b>COPPER</b>
Former Material	<b>GLASS FIBER</b>
Cone Material	<b>WATER RESISTANT TREATED PAPER + WATER PROOF BOTH SIDES TREATMENT</b>
Surround Material	<b>POLYCOTTON</b>
Xmax	<b>6.6 mm (0.26 in)</b> The Xmax is calculated as: $(Hvc - Hg)/2 + Hg/4$ . Hvc is the voice coil height and Hg the gap height.
Xmech	<b>12.9 mm (0.51 in)</b> The Xmech is calculated as: $(Hvc - Hg)/2 + (Hg-2)$ . Hvc is the voice coil height and Hg the gap height.
Gap Height	<b>11 mm (0.43 in)</b>
Voice Coil Winding Height	<b>18.8 mm (0.74 in)</b>
Driver Displacement Volume	<b>8.5 l (0.3 ft³)</b>
Recommended Enclosure	<b>159 l (5.615 ft³)</b>
Recommended Tuning	<b>40 Hz</b>

### SMALL SIGNAL PARAMETERS

Thiele-Small parameters are measured after preconditioning: a) at 20°C- 22°C, 50% humidity for 2 hours; b) by Klippel LSI measurement.

DC Resistance (Re)	4.8 ohm
Diaphragm Area (Sd)	1150 cm <sup>2</sup> (178.25 in <sup>2</sup> )
Resonance Frequency (Fs)	35 Hz
Moving Mass (Mms)	199.82 g (7.048 oz)
Compliance (Cms)	0.102 mm/N
Force Factor (BxL)	25.15 N/A
Mechanical Q-Factor (Qms)	4.22
Electrical Q-Factor (Qes)	0.33
Total Q-Factor (Qts)	0.31
Equivalent Air Volume (Vas)	192.78 l (6.808 ft <sup>3</sup> )
Voice Coil Inductance (Le)	1.52 mH
Reference Efficiency (Eta 0)	2.39 %
Efficiency Bandwidth Product (EBP)	106 Hz

## DIMENSIONS



## SHIPPING INFORMATION

Net Weight	11.9 kg (26.235 lb)
Multipack Quantity	1
Multipack size W x D x H	490 mm x 490 mm x 250 mm (19.3 in x 19.3 in x 9.8 in)
Multipack Weight	14.6 kg (32.19 lb)

## REPAIR KITS

LF Repair Kit	VRK10182
---------------	----------

