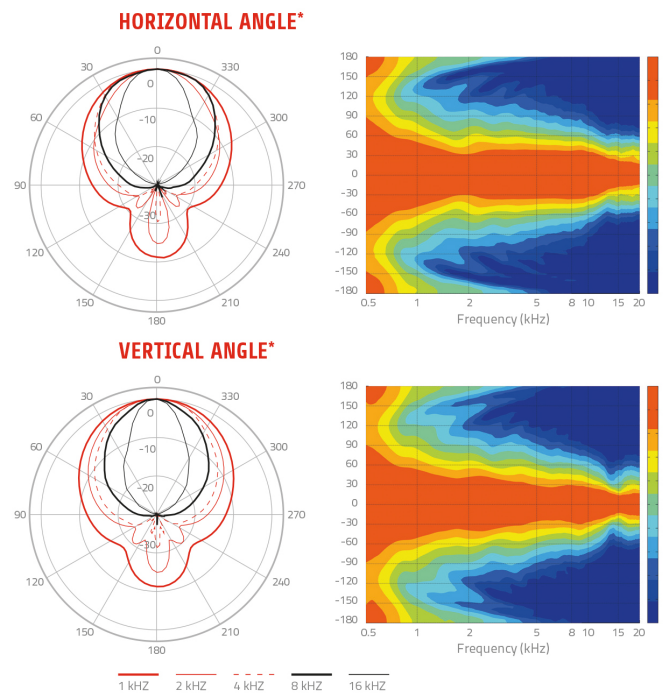
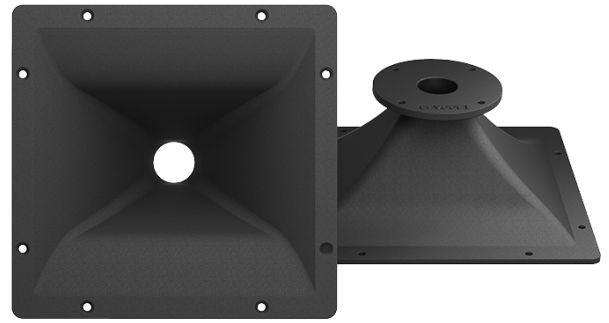


HD1403

Lavoce

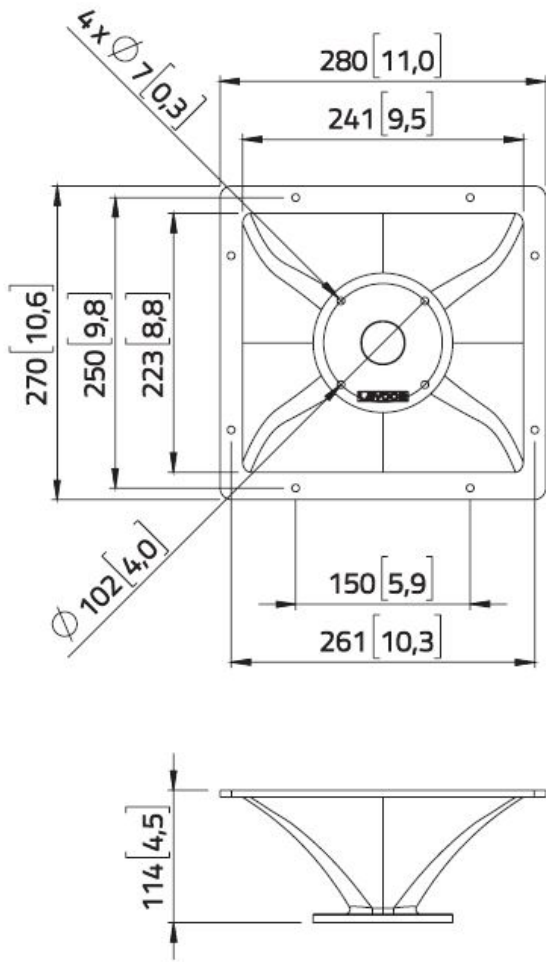
- 80° x 60° NOMINAL COVERAGE
- CUT-OFF FREQUENCY 900Hz
- ALUMINIUM CONSTRUCTION TO ENSURE HIGH MECHANICAL STRENGTH AND HEAT DISSIPATION
- FEM OPTIMIZED FOR CONSTANT DIRECTIVITY



GENERAL SPECIFICATIONS

Throat Diameter	36 mm (1.4 in)
Horizontal Nominal Coverage	80°
Vertical Nominal Coverage	60°
Cutoff Frequency	900 Hz
Material	Aluminium

DIMENSIONS



SHIPPING INFORMATION

Multipack Quantity	1
Multipack size W x D x H	290 mm x 280 mm x 131 mm (in x in x in)
Multipack Weight	1.81 kg

All the specifications subject to change without notice.

