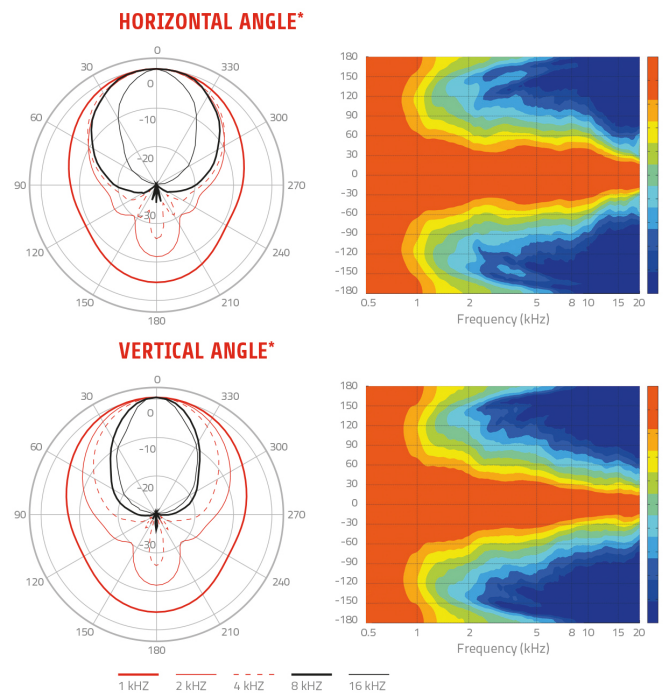
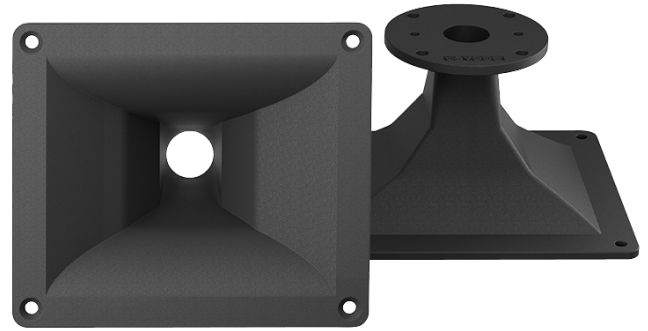


HD1004

Lavoce

1" THROAT ENTRY HORN

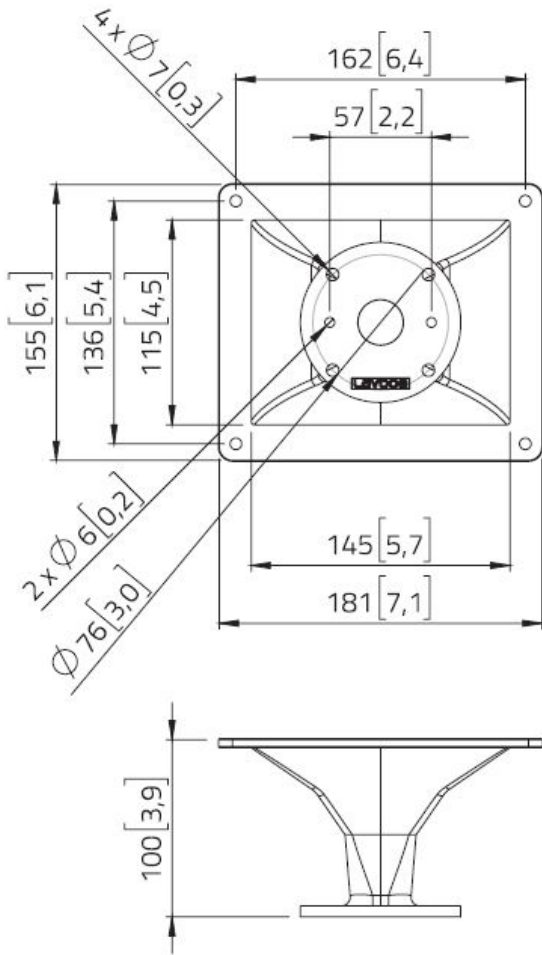
- 90° x 60° NOMINAL COVERAGE
- CUT-OFF FREQUENCY 1200Hz
- ALUMINIUM CONSTRUCTION TO ENSURE HIGH MECHANICAL STRENGTH AND HEAT DISSIPATION
- FEM OPTIMIZED EXPONENTIAL FLARE



GENERAL SPECIFICATIONS

| | |
|-----------------------------|---------------------|
| Throat Diameter | 25 mm (1 in) |
| Horizontal Nominal Coverage | 90° |
| Vertical Nominal Coverage | 60° |
| Cutoff Frequency | 1200 Hz |
| Material | Aluminium |

DIMENSIONS



SHIPPING INFORMATION

| | |
|--------------------------|--|
| Multipack Quantity | 18 |
| Multipack size W x D x H | 614 mm x 502 mm x 238 mm (in x in x in) |
| Multipack Weight | 13.543 kg |

All the specifications subject to change without notice.

