

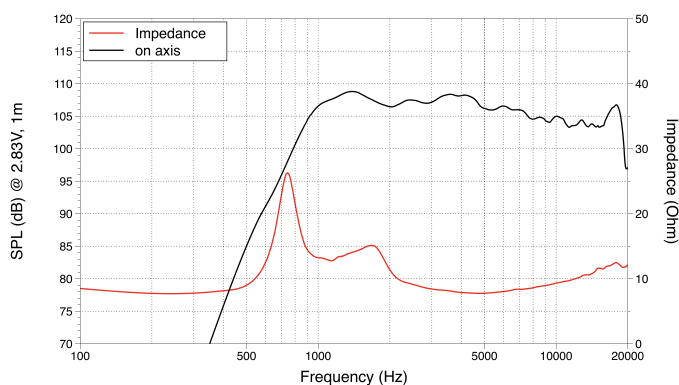
# DF10.172K

Lavoce

## 1" COMPRESSION DRIVER

FERRITE MAGNET

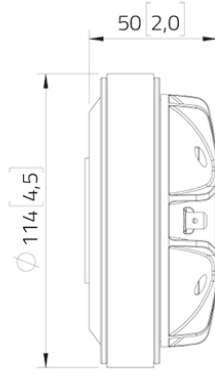
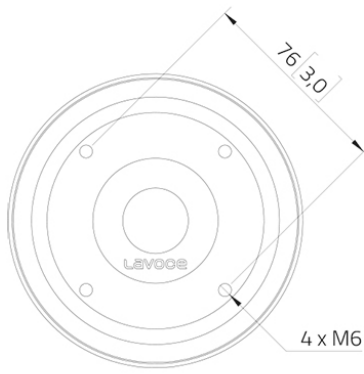
- 1.7 INCH EDGEWOUND CCA VOICE COIL
- 108,5 dB/SPL SENSITIVITY
- 120 W PROGRAM POWER HANDLING
- FEM OPTIMIZED MOTOR, PHASEPLUG AND DIAPHRAGM
- 1000 - 20000 Hz FREQUENCY RANGE
- POLYIMIDE DIAPHRAGM



### GENERAL SPECIFICATIONS

Throat Diameter	<b>25.4 mm (1 in)</b>
Nominal Impedance	<b>8 ohm</b>
Minimum Impedance	<b>7.3 ohm</b>
Program Power	<b>120 W</b> Program power is defined as 3 dB greater than AES Power.
AES Power Rating	<b>60 W</b> Horn loaded test for 2h with continuous, band-limited (1600-20000 Hz, 12dB/oct.) pink noise as per AES 2-1984 Rev. 2003.
Sensitivity	<b>108.5 dB</b> Measured on axis at 2.83V, 1m, driver loaded with HD1003 horn, SPL averaged in the frequency range 1000 ÷ 20000 Hz.
Frequency Range	<b>1000÷20000 Hz</b>
Voice Coil Diameter	<b>44.4 mm (1.75 in)</b>
Magnet Material	<b>FERRITE</b>
Coil Material	<b>EDGEWOUND CCA</b>
Former Material	<b>KAPTON</b>
Diaphragm Geometry	<b>DOME</b>
Diaphragm	<b>POLYIMIDE</b>
Surround Material	<b>POLYIMIDE VENTED</b>
Magnet OD	<b>114 mm (4.5 in)</b>
Voice Coil Inductance	<b>0.08 mH</b>
Flux Density	<b>1.75 T</b>
Recommended Crossover	<b>1600 Hz</b> High pass filter with slope 12dB/oct. or higher.
Driver Displacement Volume	<b>0.4 l (0.014 ft³)</b>

### DIMENSIONS



## SHIPPING INFORMATION

Net Weight	<b>1.7 kg (3.748 lb)</b>
Multipack Quantity	<b>9</b>
Multipack size W x D x H	<b>489 mm x 457 mm x 100 mm (19.3 in x 18 in x 3.9 in)</b>
Multipack Weight	<b>17.2 kg (37.92 lb)</b>

## REPAIR KITS

HF Repair Kit	<b>VRK83102</b>
---------------	-----------------

